

# SolarLake Series

## SolarLake 10000TL / 12000TL / 15000TL / 17000TL ( Three phase )

**Ideal for commercial project**



### Features:

#### Leading-edge Technology

- DC input voltage up to 1000v
- Dual MPPT inputs accommodating wide voltage range
- Transformerless - minimizing size and weight
- Maximum Efficiency **98%**
- Integrated DC switch

#### Flexibility

- Use for indoor and outdoor (IP65)
- "Plug and play" connection for easy installation and maintenance
- Multi-lingual display
- Easy configuration for different country grid standards

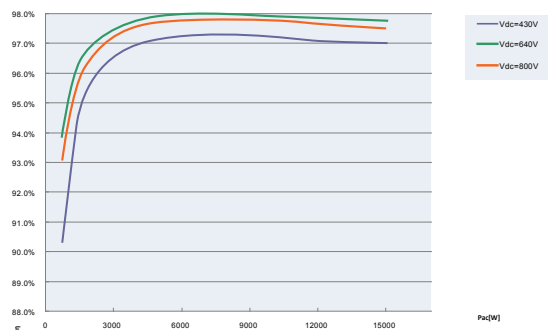
#### Built to Last

- Automatic protection against over/under voltage, over/under load, islanding, short circuit, etc.
- 5 years standard warranty, up to 25 years warranty extension

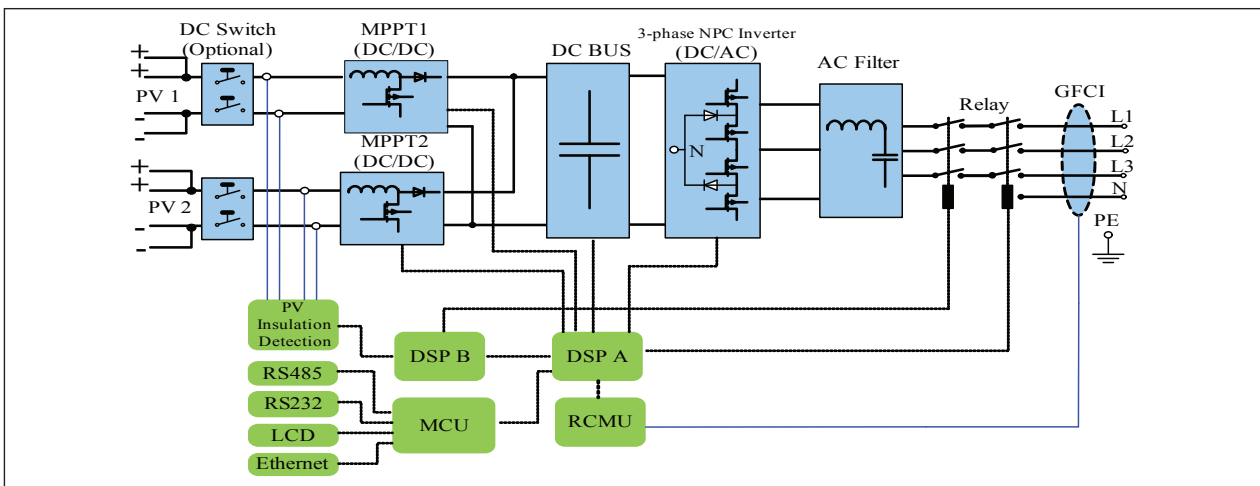
#### Certificates

- Comply with **NEW CEI 0-21** (Italy) , **VDE AR-N4105** (Germany), **AS4777,G83/G59, C10/C11**,ect. (18 countries' Grid Standard)

SolarLake 17000TL Efficiency



SolarLake 17000TL Topology



# Data Sheet

# SolarLake Series

**NEW**

Inverter Model	SolarLake 10000TL	SolarLake 12000TL	SolarLake 15000TL	SolarLake 17000TL
<b>Input (DC)</b>				
Max. PV power [W]	11500	13800	17300	19600
Max. DC power [W]	10400	12500	15600	17700
Max. DC voltage [V]	1000	1000	1000	1000
Max. input current [A]	A: 16 / B:16	A: 16 / B:16	A:20 / B:20	A:20 / B:20
Number of MPP trackers / strings per MPP tracker	2 / 2			
MPPT voltage range (at rated power) [V]	320~800	380~800	380~800	430~800
Shutdown voltage / Start voltage [V]	160 / 210			
<b>Output (AC)</b>				
AC nominal power [W]	10000	12000	15000	17000
Max. AC power [W]	10000	12000	15000	17000
Max. AC current [A]	16	19.2	24	25
Nominal AC voltage [V]	3 / N / PE,230 / 400			
AC grid frequency / range [Hz]	50			
Power factor (cosφ), adjustable	0.9 leading ... 0.9 lagging			
Total harmonic distortion (THDi)	<3%			
<b>Efficiency</b>				
Max. Efficiency	97.9%	97.9%	98.0%	98.0%
Euro efficiency	97.4%	97.4%	97.6%	97.6%
MPPT efficiency	99.9%			
<b>General data</b>				
Dimensions(W / H / D) [mm]	520 / 716 / 230			
Weight [kg]	50			
Operating temperature range [°C]	-20~+60			
Ingress protection	IP65			
Topology	Transformerless			
Internal consumption(night) [W]	<5			
Cooling concept	Fan			
Noise (typical) [dB]	<47			
Display	3.5 inch,TFT-LCD			
Communication port	Ethernet/ RS232/ RS485			
Standard warranty [year]	5			
Grid management	Yes			
DC switch	Integrated			
<b>Inverter Model</b>	<b>SolarLake 10000TL</b>	<b>SolarLake 12000TL</b>	<b>SolarLake 15000TL</b>	<b>SolarLake 17000TL</b>