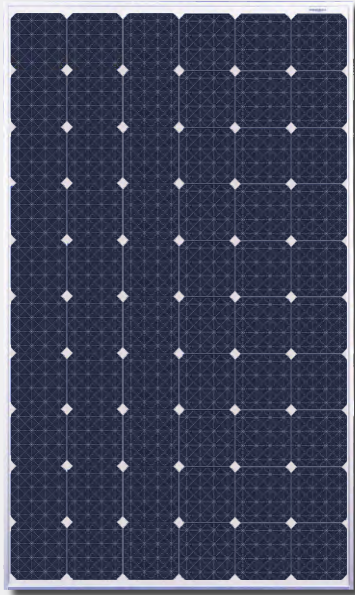


# NEW



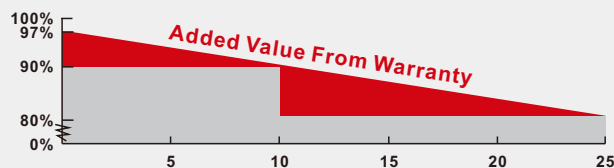
 CanadianSolar

## ELPS Module

CS6P-255/260/265/270MM

### ELPS Technology Highlights

- **Delivers More Electricity**  
Delivers up to 10% more electricity than conventional solar modules
- **Highest Efficiency Module (P-type)**  
The metal wrap through (MWT) design increases light absorption up to 3% for more power output than conventional cells and modules
- **Best Power Tolerance**  
Industry leading plus-only power tolerance gives you up to 5 watts extra
- **Excellent Low Light Performance**  
Excellent performance in low light conditions (mornings, evenings and cloudy days)
- **Reduces Balance of System Cost**  
Get more watts in less space for savings on ground and rooftop, installation time, mounting systems and cables
- **Backed By Our New 10/25 Linear Power Warranty Plus our added 25 year insurance coverage**



- 10 year product warranty on materials and workmanship
- 25 year linear power output warranty

### ELPS Cell Technology

**Highest cell efficiency up to 21.1%**

Our new breakthrough ELPS technology enables solar cells to collect more light resulting in 21.1% cell efficiency. These new cells feature a metal wrap through (MWT) design which moves the front busbars to the back of the cells allowing for 3% more light absorption per cell. As a result these modules deliver 10% more electricity than conventional solar modules.

### Best Quality

- 235 quality control points in module production
- EL screening to eliminate product defects
- Accredited Salt mist/Ammonia resistance
- Current binning to improve system performance

### Best Warranty Insurance

- 25 years worldwide coverage
- 100% warranty term coverage
- Providing third party bankruptcy rights
- Non-cancellable
- Immediate coverage
- Insured by 3 world top insurance companies

### Comprehensive Certificates

- IEC 61215, IEC 61730, IEC 61701ED2, UL 1703, IEC 62716, MCS, JET, CE
- ISO9001: 2008: Quality Management System
- ISO/TS16949:2009: The automotive quality management system
- ISO14001:2004: Standards for Environmental management system
- QC080000 HSPM: The Certification for Hazardous Substances Regulations
- OHSAS 18001:2007: International standards for occupational health and safety



[www.canadiansolar.com](http://www.canadiansolar.com)

# ELPS Module

CS6P-255/260/265/270MM

## Electrical Data

STC	CS6P-255MM	CS6P-260MM	CS6P-265MM	CS6P-270MM
Nominal Maximum Power (Pmax)	255W	260W	265W	270W
Optimum Operating Voltage (Vmp)	30.5V	30.7V	30.9V	31.1V
Optimum Operating Current (Imp)	8.35A	8.48A	8.61A	8.67A
Open Circuit Voltage (Voc)	37.7V	37.8V	37.9V	38.2V
Short Circuit Current (Isc)	8.87A	8.99A	9.11A	9.19A
Module Efficiency	15.85%	16.16%	16.47%	16.79%
Operating Temperature	-40°C~+85°C			
Maximum System Voltage	1000V (IEC) /600V (UL)			
Maximum Series Fuse Rating	15A			
Application Classification	Class A			
Power Tolerance	0 ~ +5W			

Under Standard Test Conditions (STC) of irradiance of 1000W/m<sup>2</sup>, spectrum AM 1.5 and cell temperature of 25°C

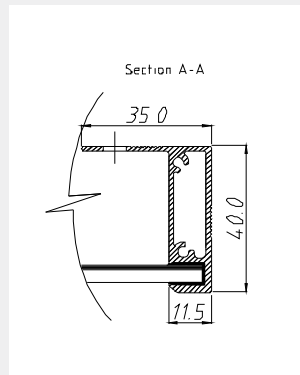
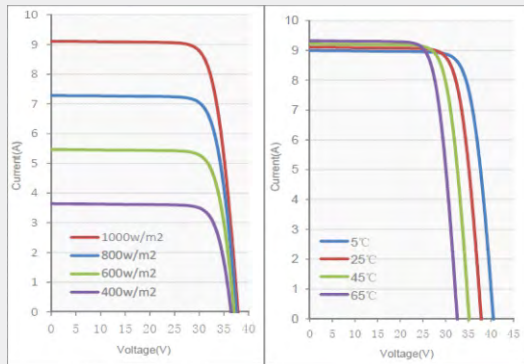
NOCT	CS6P-255MM	CS6P-260MM	CS6P-265MM	CS6P-270MM
Nominal Maximum Power (Pmax)	184W	188W	191W	195W
Optimum Operating Voltage (Vmp)	27.8V	28.0V	28.2V	28.4V
Optimum Operating Current (Imp)	6.62A	6.70A	6.79A	6.87A
Open Circuit Voltage (Voc)	34.6V	34.7V	34.8V	35.0V
Short Circuit Current (Isc)	7.18A	7.28A	7.37A	7.44A

Under Normal Operating Cell Temperature, Irradiance of 800 W/m<sup>2</sup>, spectrum AM 1.5, ambient temperature 20°C, wind speed 1 m/s

## Mechanical Data

Cell Type	ELPS Mono Cell 156 x 156mm
Cell Arrangement	60 (6 x 10)
Dimensions	1638 x 982 x 40mm (64.5 x 38.7 x 1.57in)
Weight	19.5kg (43.0 lbs)
Front Cover	3.2mm Tempered glass
Frame Material	Anodized aluminium alloy
J-BOX	IP65 or IP67, 3 diodes
Cable	4mm <sup>2</sup> (IEC)/12AWG(UL), 1000mm
Connectors	MC4 or MC4 Comparable
Standard Packaging (Modules per Pallet)	24pcs
Module Pieces per container (40 ft . Container)	672pcs (40'HQ)

## I-V Curves (ELPS CS6P-265MM)



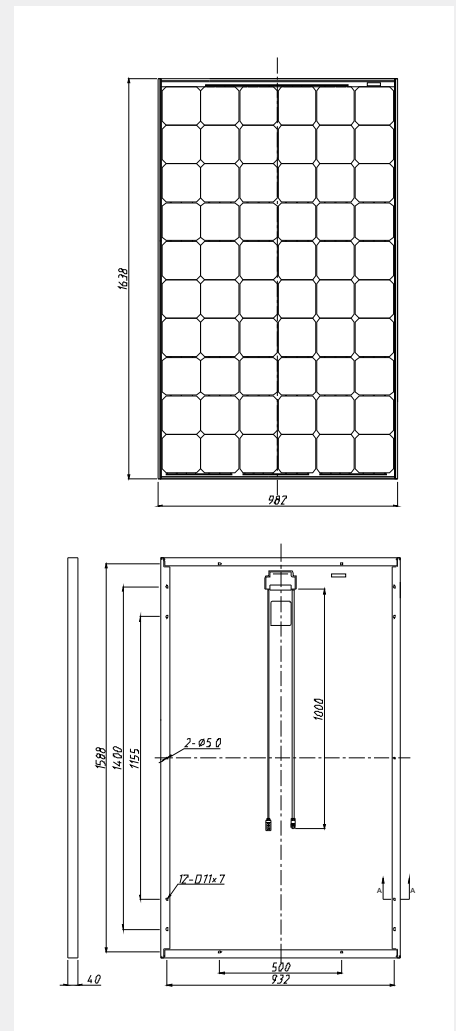
## Temperature Characteristics

Temperature Coefficient	Pmax	-0.45%/°C
	Voc	-0.35%/°C
	Isc	0.060%/°C
Normal Operating Cell Temperature		45±2°C

## Performance at Low Irradiance

Industry leading performance at low irradiation environment, +95.5% module efficiency from an irradiance of 1000w/m<sup>2</sup> to 200w/m<sup>2</sup> (AM 1.5, 25 °C)

## Engineering Drawings



\*Specifications included in this datasheet are subject to change without prior notice.

## About Canadian Solar

Canadian Solar Inc. is one of the world's largest solar companies. As a leading vertically-integrated manufacturer of ingots, wafers, cells, solar modules and solar systems, Canadian Solar delivers solar power products of uncompromising quality to worldwide customers. Canadian Solar's world class team of professionals works closely with our customers to provide them with solutions for all their solar needs.

Canadian Solar was founded in Canada in 2001 and was successfully listed on NASDAQ Exchange (symbol: CSIQ) in November 2006. Canadian Solar has cell manufacturing capacity of 1.5GW and module manufacturing capacity of 2.3GW.

Headquarters | 545 Speedvale Avenue West  
Guelph | Ontario N1K 1E6 | Canada  
Tel: +1 519 837 1881  
Fax: +1 519 837 2550  
inquire.ca@canadiansolar.com  
www.canadiansolar.com